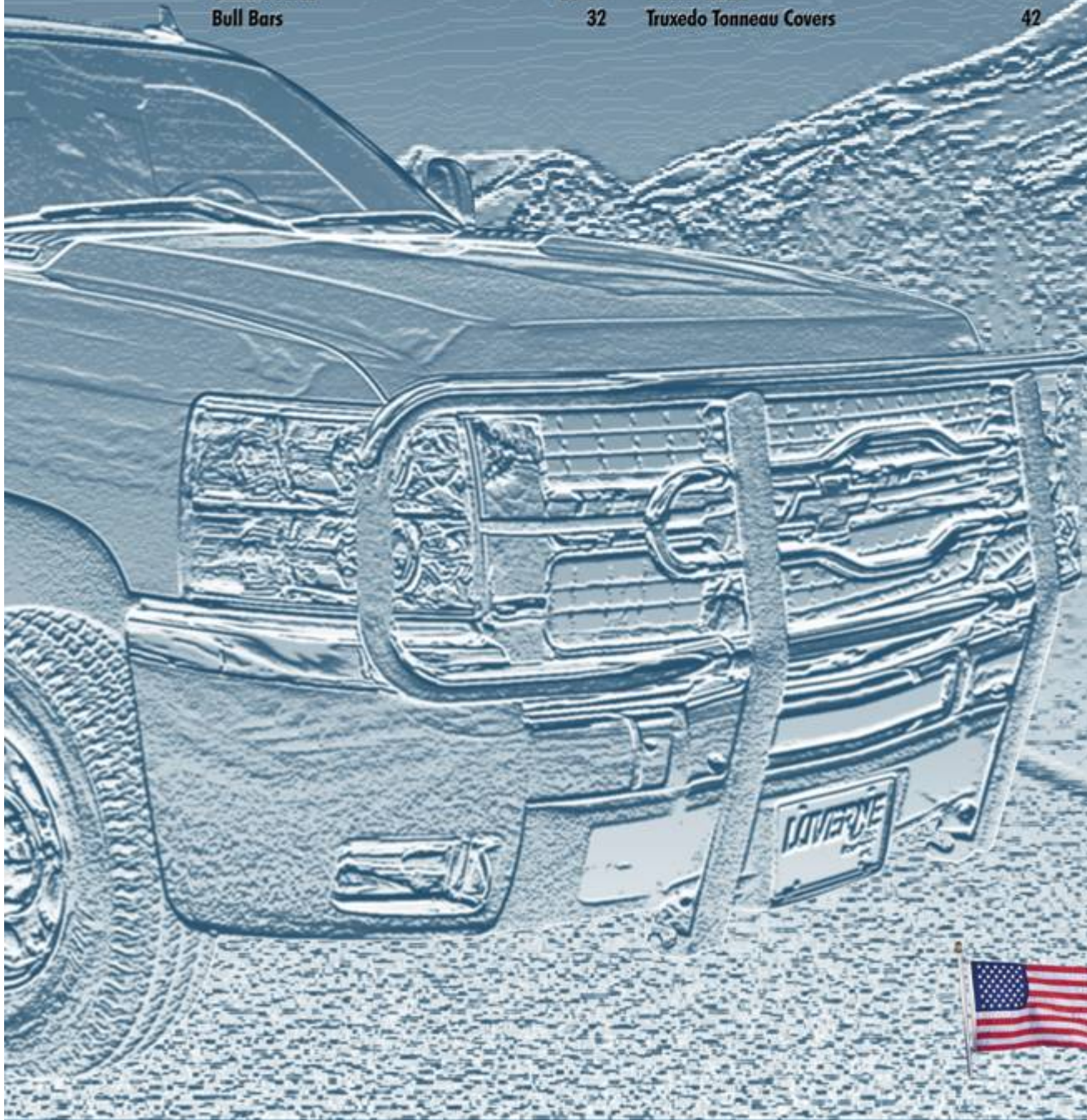


LIVERNE

TRUCK EQUIPMENT

Side Entry Steps	1-4	"Defender Series" Front-End Replacements	33-34
Nerf Bars	5-9	Cab Guard	35
W2W Nerf Bars	10	Aluminum Oval Bed Rails	35
4" Oval Nerf Bars	11	Stainless Steel Tubular Bed Rails	35
MegaSteps	12-16	Splash Guards & Mud Guards	36
O-MegaSteps	17-22	Heavy-Duty Bumpers	37
Grip Steps	23-25	Tuff Guards	38
Optional Accessories for Steps	26	ProTec Grille Guards	38
StepUp Box Step	27	Van Steps	39
Ramp It Cargo Carrier	27	Sprinter Steps	40
Grille Guards	28-31	Hauler Racks	41
Bull Bars	32	Truxedo Tonneau Covers	42

QUALITY TRUCK & SUV ACCESSORIES



**Made in
America by
American
Workers**

LOVERNE

Stainless Steel Side Entry Steps & Box Extensions

- High-Polish Stainless Steel 7 inch Step with Plastic End Caps
- Available in Custom Sizes to Fit Regular, Extended, Quad, Super, and Crew Cabs for GM, Ford, Dodge, Toyota, and Nissan Pickups & SUVs
- Easy, No-Drill Installation on Most Models
- Brackets are Pre-Installed at Factory on Most Models



Wide Step Pads Provide a Bold Appearance and Expanded Step Area



GMC Sierra Regular Cab



Chevrolet Silverado Crew Cab



Lasts A Lifetime



Chevrolet Suburban

STAINLESS STEEL
SIDE ENTRY STEPS

STAINLESS STEEL
SIDE ENTRY STEPS

Ford F-150 Super Crew



Ford F-250 Crew Cab



*Lasts A
Lifetime*



Ford F-350 Dual Wheel
Box Extension

Chrysler Aspen



LIVERNE

LIVERNE



Dodge Ram Mega Cab Dual Wheel



Dodge Ram Crew Cab



Dodge Dakota Quad Cab

**STAINLESS STEEL
SIDE ENTRY STEPS**

STAINLESS STEEL
SIDE ENTRY STEPS

Dodge Ram Crew Cab



Toyota Tundra Double Cab



Nissan Titan Crew Cab

LIVERNE

LIVERNE

Nerf Bars

- Custom-Designed for GM, Ford, Dodge, Toyota, Nissan, Saturn and Honda Pickups and SUVs
- Easy, No-Drill Installation on Most Models
- Heavy-Duty 3" Tube with Mandrel Bends
- Available in High-Polish Stainless Steel (Lifetime Warranty on Finish); and Durable Black Powder Coat Finish on Stainless Steel Tube
- Factory Installed Safety Step Pads Provide a Large Step Area to Assist in Vehicle Entry & Exit
- Brackets are Factory Installed



GMC Sierra Regular Cab

Chevrolet Tahoe



Chevrolet Silverado Crew Cab



Lasts A Lifetime

STAINLESS STEEL & BLACK
NERF BARS

STAINLESS STEEL & BLACK
NERF BARS



Dodge Ram Crew Cab 1500



*Lasts A
Lifetime*



Chrysler Aspen



Dodge Dakota Quad Cab

LIVERNE

LÜVERNE



Honda Ridgeline



Lasts A Lifetime



Toyota Tacoma Double Cab

**STAINLESS STEEL & BLACK
NERF BARS**



Saturn VUE

STAINLESS STEEL & BLACK
NERF BARS



Ford F-250 Super Cab



*Lasts A
Lifetime*



Ford F-150 Super Cab



Nissan Titan Crew Cab

LIVERNE

LIVERNE

60° Series Nerf Bars

- Contemporary, Cradle-Mounted 3" Tubes with 60 Degree Mandrel Bends
- Available in High Polish Stainless Steel (Lifetime Warranty on Finish); and Durable Black Powder Coat Finish
- Factory-Installed Safety Step Pads Provide a Large Step Area to Assist in Vehicle Entry & Exit
- Easy, No-Drill Installation



Toyota Tundra Double Cab 60° Series Nerf Bar



Saturn Outlook 60° Series Nerf Bar

**STAINLESS STEEL & BLACK
NERF BARS**

W2W[™] Nerf Bars

- Custom-Designed for GM, Ford, and Dodge Pickups
- W2W Nerf Bars are Constructed of Heavy-Duty 3" Tube with Mandrel Bends and Feature Easy, No-Drill Installation
- Available in High Polish Stainless Steel (Lifetime Warranty on Finish); and Durable Black Powder Coat Finish on Stainless Steel Tube
- Factory Installed Safety Step Pads Provide a Large Step Area
- Brackets Installed and Pre-Assembled at Factory



*Lasts A
Lifetime*

STAINLESS STEEL & BLACK
W2W NERF BARS



GMC Sierra Extended Cab



Dodge Ram Quad Cab

Luverne W2W Nerf Bars Make
Truck Bed Access Easier with
Extended Step Area



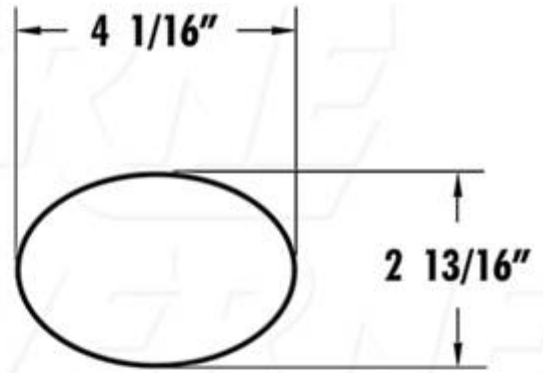
Ford F-350 Crew Cab

LUVERNE

LIVERNE

4" Oval Nerf Bars

- Custom-Designed for GM, Ford, Dodge and Toyota Pickups and Wheel-to-Wheel Lengths
- Easy, No-Drill Installation
- Heavy-Duty 4" Stainless Steel Tube with Mandrel Bends (Lifetime Warranty on Finish)
- Longer, Wider Safety Step Pads are Factory Installed
- Brackets are Factory Installed



STAINLESS STEEL
4" OVAL NERF BARS



MegaStep®

- High-Polish 18 ga. Stainless Steel with Full-Length, Non-Slip Rubber Step
- Extruded Aluminum Core for Superior Strength
- Features a 7 inch x 3 inch Step with a Full 5 inches of Rubber Step Width
- Step Position on Brackets can be Adjusted In or Out and Forward or Backward to Suit Personal Preference
- Vehicle-Specific Brackets and Pre-Installed Fasteners Allow for Easy, No-Drill Installation
- Available in Cab Length and Wheel-to-Wheel Lengths to Fit an Extensive Variety of GM, Ford, Dodge, Toyota, Jeep, Nissan and Saturn Models
- Optional Back Splash Available for MegaSteps
- Brackets are Black Powder Coated, High-Strength Steel

*The Look & Style of a Nerf Bar
Combined with the Convenience
of an Extra Wide Step Area*

CAB LENGTH & WHEEL-TO-WHEEL
MEGASTEPS



Chevrolet Traverse



Chevrolet Silverado Crew Cab



GMC Sierra Regular Cab



GMC Savana Van

LIVERNE

LIVERNE



Ford F-150 Super Crew



Ford F-250 Crew Cab



Ford Escape

**CAB LENGTH & WHEEL-TO-WHEEL
MEGASTEPS**

CAB LENGTH & WHEEL-TO-WHEEL
MEGASTEPS



Dodge Dakota Quad Cab



Dodge Ram Crew Cab



Dodge Durango

Nissan Titan Crew Cab



LIVERNE



Toyota 4Runner



Toyota Tundra Double Cab



Toyota FJ Cruiser



Toyota Highlander

CAB LENGTH & WHEEL-TO-WHEEL
MEGASTEPS

CAB LENGTH & WHEEL-TO-WHEEL
MEGASTEPS



Toyota Tacoma Double Cab



Jeep Commander



Jeep Grand Cherokee

LIVERNE

O-MegaStep

- Features a 6 inch x 2¼ inch Anodized T-6 Aluminum "Oval" Step
- Satin Finish Universal Board Lengths Fit a Wide Range of Cab Length & W2W Applications - 78", 88", and 114" Boards also Available in Black or Bright Chrome Finish; 125" Boards are Available in the Satin or Black Finish
- Applications to fit a Wide Range of GM, Ford, Dodge, Toyota, Jeep, Nissan and Saturn Pickups and SUVs
- Board Lengths Can be Cut to Length in the Field in Order to Make Shorter Applications for Use with Appropriate Mounting Brackets
- Vehicle-Specific Brackets Allow for Easy, No-Drill Installation
- Step Position on Brackets can be Adjusted In or Out and Forward or Backward
- Large Step Pads are Constructed of a "No-Break" Polypropylene
- Brackets are Black Powder Coated High Strength Steel
- End Caps are Made of Paintable TPO Plastic
- Brackets and Step Boards are Packaged Separately



GMC Sierra Crew Cab



Chevrolet Tahoe



Chevrolet Traverse

CAB LENGTH & WHEEL-TO-WHEEL
O-MEGASTEPS

CAB LENGTH & WHEEL-TO-WHEEL
O-MEGASTEPS



GMC Sierra 2500HD Crew Cab



Chevrolet Silverado 2500HD
Crew Cab Long Box



Ford F-250 Crew Cab



Ford F-150 Super Crew

LIVERNE

LIVERNE



Ford Escape



Dodge Ram 1500 Crew Cab



Dodge Ram MegaCab Dual Wheel

CAB LENGTH & WHEEL-TO-WHEEL
O-MEGASTEPS

CAB LENGTH & WHEEL-TO-WHEEL
O-MEGASTEPS



Dodge Durango



Toyota Tundra Double Cab

Toyota Tacoma Double Cab





Toyota 4Runner



Toyota Highlander



Toyota FJ Cruiser

CAB LENGTH & WHEEL-TO-WHEEL
O-MEGASTEPS

CAB LENGTH & WHEEL-TO-WHEEL
0-MEGASTEPS



Nissan Titan King Cab

This Affordable Alternative Provides Contemporary Style & Function for Your Pickup, SUV, or Van



Jeep Grand Cherokee



Saturn Outlook

LUVERVE

LUPERNE

GripStep

- Features a 7 inch x 2½ inch Step Constructed of 5052-H32 Aluminum
- Durable Black Powder Coat Finish
- Features an Innovative Step Design for Added Traction and Safety
- Vehicle-Specific Brackets Allow for Easy, No-Drill Installation
- 78", 88" and 114" Step Lengths Fit Cab Length and Wheel-to-Wheel Applications
- Board Lengths Can be Cut to Length in the Field in Order to Make Shorter Applications for Use with Appropriate Mounting Brackets for GM, Ford, Dodge and Toyota
- Brackets are Black Powder Coated High-Strength Steel
- Includes Stainless Steel Fasteners and Textured Black ABS Plastic End Caps
- Some Step Board Assembly Required



Chevrolet Silverado 2500HD Crew Cab

CAB LENGTH & WHEEL-TO-WHEEL
GRIP STEPS

*With the Luperne Grip Step,
Safe Traction is Assured
in Any Weather*

CAB LENGTH & WHEEL-TO-WHEEL
GRIP STEPS



Ford F-250 Crew Cab



GMC Sierra 2500HD Crew Cab



GMC Savana Van

LIVERNE

LOVERNE



Ford F-250 Regular Cab



Dodge Ram 2500 Quad Cab



Toyota Tundra Double Cab

CAB LENGTH & WHEEL-TO-WHEEL
GRIP STEPS

MegaStep Receiver Hitch Step

- 26" High Polish 18 ga. Stainless Steel with Full-Length, Non-Slip 5 inch Rubber Step
- Extruded Aluminum Core



O-MegaStep Receiver Hitch Step

- 6 inch x 2 3/4 inch Anodized T-6 Aluminum "Oval" Step Available with a Satin, Black Anodized, or Chrome Finish
- 26" in Length
- End Caps are Made of Paintable TPO Plastic



Grip Step Receiver Hitch Step

- 7 inch Step Constructed of 5052-H32 Aluminum with a Durable Black Powder Coat Finish
- 26" Step Features an Innovative Design for Added Traction
- Textured ABS Plastic End Caps



Receiver Hitch Stingers



- 2" Square Receiver Stingers Available for Specific MegaStep, O-MegaStep and Grip Step Hitch Step Applications

Back Splash *MegaStep* / *O-MegaStep*

- 88" GM, Ford, and Dodge Back Splash Constructed of Textured ABS Plastic (Packaged as a Pair)
- Fits all MegaSteps & O-MegaSteps (Excludes W2W Van Applications)



MegaStep Back Splash



O-MegaStep Back Splash

LIVERNE

StepUp®



- Black Zinc-Plated Finish Over 1/4" Thick Steel
- Allows Easy Access to the Box of Most Current Model, Full-Size Pickup Trucks
- Retractable Step Moves Effortlessly Out of the Way and Locks in the Up Position When Not in Use
- Can be Moved Easily By Hand or Foot and Features a Non-Slip Rubber Step Pad
- Universal Step Assembly with Vehicle-Specific Mounting Brackets for GM, Ford, Dodge and Toyota Pickups
- Individual Packaging Allows for Many Unique Applications
- Frame-Mounted Brackets (Many Applications are No Drill)
- Step Assembly and Brackets are Sold Separately

Easy-to-Use Access to the Truck Bed Behind the Cab

**UNIVERSAL
STEPUP**



Ramp it®

CARGO CARRIER



- Receiver Hitch Cargo Carrier with Hideaway Ramp
- Fits Both 2" Standard Receivers and 1-1/4" Receivers
- Durable Black Powder Coat Finish
- 28" x 44" Tray with Built-In Holes for Tie Down Straps
- Stingers for 2" or 1-1/4" Receivers Sold Separately
- 500 lb. Capacity with 2" Receiver / 350 lb. Capacity with 1-1/4" Receiver
- Ramp Allows for Easy Loading and Unloading of Cargo
- Expanded Metal Tray and Ramp Allow for Easy Cleaning and Drainage

Finally, a Cargo Carrier with a Slide Out Ramp!



**UNIVERSAL
RAMP IT**



Chevrolet/GMC 1 1/4" Tubular Grille Guard

- Available in Chrome or Textured Black for 2007-2011 Chevrolet/GMC Models
- 1 1/4" One-Piece Tubular Ring Assembly
- Frame-Mounted Uprights
- Rubber Extrusions and Trim-Top Caps are Securely Bolted to Uprights
- Easy, No-Drill Installation
- Excludes "SS" Models on Classic Body Style

2007-2011 Chevrolet Silverado
1 1/4" Tubular Grille Guard



Chevrolet/GMC 2" Tubular Grille Guard

- Available in Chrome or Textured Black for 2003-2007 and 2007-2011 Chevrolet/GMC Models
- 2" One-Piece Tubular Ring Assembly
- Frame-Mounted Uprights
- Rubber Extrusions are Securely Bolted to Uprights for Added Protection
- Factory Tow Hooks Replaced by Built-In Tow Hooks in Mounting Brackets
- Easy, No-Drill Installation
- Excludes "SS" Models on Classic Body Style



2007-2011 GMC Sierra
2" Tubular Grille Guard

2007-2011 Chevrolet Silverado
2" Tubular Grille Guard



All Current Model 2" Grille Guard Uprights Feature a Polished Stainless Steel Back Cover Plate to Ensure a Finished Look to the Back of the Uprights (Shown in Photo)

2003-2007 Chevrolet Silverado HD
2" Tubular Grille Guard
(Classic Body Style)



2007-2011 Chevrolet Suburban
2" Tubular Grille Guard



LIVERNE

LIVERNE

Ford Super Duty 2" Tubular Grille Guard

- Available in Chrome or Textured Black for the 2005-2007, 2008-2010 and 2011 Ford Super Duty Models
- 2" One-Piece Tubular Ring Assembly
- Frame-Mounted Uprights
- Rubber Extrusions are Securely Bolted to Uprights for Added Protection
- Easy, No-Drill Installation



2008-2010 Ford Super Duty
2" Chrome Tubular Grille Guard



2005-2007 Ford Super Duty
2" Chrome Tubular Grille Guard

Ford F-150 2" Tubular Grille Guard

- Available in Chrome or Textured Black for the 2009-2011 Ford F-150
- 2" One-Piece Tubular Ring Assembly
- Frame-Mounted Uprights
- Rubber Extrusions are Securely Bolted to Uprights for Added Protection
- Easy, No-Drill Installation
- Air Dam Modification Required on 2wd Models
- 2011 F-150 EcoBoost Requires Kit #391120



FORD
GRILLE GUARDS

Ford F-150 1 1/4" Tubular Grille Guard

- Available in Chrome or Textured Black for the 2006-2008 Ford F-150
- 1 1/4" One-Piece Tubular Ring Assembly
- Frame-Mounted Uprights
- Rubber Extrusions and Trim-Top Caps are Securely Bolted to Uprights for Added Protection
- Easy, No-Drill Installation

2006-2008 Ford F-150



Dodge Ram 2" Tubular Grille Guards

- Available in Chrome or Textured Black for the 2006-2008 and 2009-2011 Ram 1500
- 2" One-Piece Tubular Ring Assembly
- Frame-Mounted Uprights
- Rubber Extrusions are Securely Bolted to Uprights
- Easy Installation; Minor Drilling Through Plastic may be Required
- Tow Hook Removal Required

NOTE: Does Not Work with Sport Bumper

2009-2011 Dodge Ram 1500



- Available in Chrome or Textured Black for the 2006-2009 and 2010-2011 Ram 2500 and 3500 (the 3500 also Fits the 2011 Ram 3500 Chassis Cab)
- 2" One-Piece Tubular Ring Assembly
- Frame-Mounted Uprights
- Rubber Extrusions are Securely Bolted to Uprights for Added Protection
- Easy, No-Drill Installation

2010-2011 Dodge Ram 2500, 3500



Toyota Tundra 2" Tubular Grille Guard

- Available in Chrome or Textured Black for the 2007-2009 Toyota Tundra
- 2" One-Piece Tubular Ring Assembly
- Frame-Mounted Uprights
- Rubber Extrusions are Securely Bolted to Uprights for Added Protection
- Easy, No-Drill Installation

2007-2009 Toyota Tundra

NOTE: Will Fit the 2010-2011 Toyota Tundra with Minor Trimming of Plastic



Nissan Titan 2" Tubular Grille Guard

- Available in Chrome or Textured Black for the 2004-2011 Nissan Titan and the 2004-2007 Nissan Armada
- 2" One-Piece Tubular Ring Assembly
- Frame-Mounted Uprights
- Rubber Extrusions are Securely Bolted to Uprights for Added Protection
- Easy, No-Drill Installation

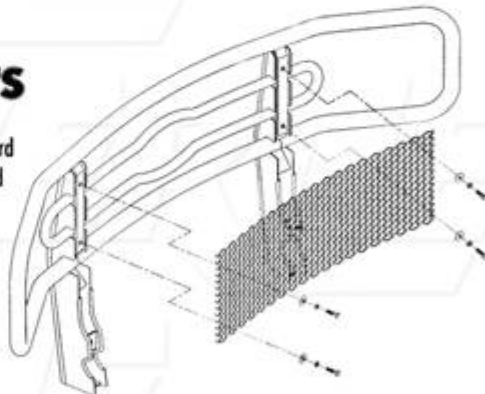
NOTE: Nissan skid plate must be removed and is not reused on offroad option; excludes XE models

2004-2011 Nissan Titan



Grille Guard Mesh Inserts

- Fits the 2007-2011 GM 2500HD/3500 2" Tubular Grille Guard and the 2008-2010 Ford Super Duty 2" Tubular Grille Guard
- Black Powder Coated Stainless Steel
- Easy Installation



Light Bracket Kit

- Light Bracket Kit for 2" Grille Guards



BullBar

- Universal Bull Bar and Vehicle-Specific Mounting Brackets for GM, Ford, Dodge, Jeep and Toyota are Packaged Separately
- High-Polish 3" Diameter 304 Stainless Steel Tubular Construction
- Matching High-Polish Stainless Steel Laser Cut Skid Plate
- Includes Light Mounting Holes and License Plate Bracket
- Black Powder Coated 1/4" Steel Brackets Ensure Maximum Strength
- Strong, Stylish Front Bumper Protection is Easily Installed with No Drilling

STAINLESS STEEL
BULL BARS



2009-2011 Dodge Ram 1500



2011 GMC Sierra 2500HD/3500



2007-2011 Chevrolet Silverado 1500



2011 Ford Super Duty



2009-2011 Ford F-150



2007-2011 Toyota Tundra



2005-2011 Toyota Tacoma



Lasts A Lifetime

Louverne

LIVERNE

"DEFENDER SERIES" FRONT-END REPLACEMENT

- Constructed from 7 ga. Steel with a Black Textured Powder Coat Finish
- Features a 14 ga. 2" Ring with Three 1¼" Diameter Center Tubes and Headlight Wires
- 1/4" Steel Mounting Brackets Included
- Rubber Extrusions are Securely Bolted to Uprights for Added Protection
- Includes a 2" Receiver Hitch and Removable Winch Access Panel
- Bumper Accommodates OEM Fog Lights on Current Models
- 1/4" Steel Winch Support Bracket for Winch (Winch Not Included)
- Easy, No-Drill Installation
- Approximate Weight 275 lbs.
- Free Shipping from Brandon, SD
- Special Packaging to Eliminate Freight Damage



2011 Ford Super Duty



2010-2011 Dodge Ram 2500, 3500



2011 Chevrolet Silverado 2500HD/3500



2011 GMC Sierra 2500HD/3500

HEAVY-DUTY "DEFENDER SERIES"
FRONT-END REPLACEMENTS

"DEFENDER SERIES" FOR YOUR LIGHT-DUTY TRUCK

FRONT-END REPLACEMENT

- Constructed from 11 ga. Steel with a Black Textured Powder Coat Finish
- Features a Uniquely-Styled 3" Steel Tube Grille Protector
- 7 ga. Steel Mounting Brackets are Included
- Tow Hooks are Accessible After Relocation
- Bumper Accommodates the OEM Fog Lights
- Easy, No-Drill Installation
- Approximate Weight 135 lbs.
- Free Shipping from Brandon, SD
- Special Packaging to Eliminate Freight Damage

2009-2011 Ford F-150



2007-2011 Chevrolet Silverado 1500

2009-2011 Dodge Ram 1500



LIGHT-DUTY "DEFENDER SERIES"
FRONT-END REPLACEMENT

LÜVERNE

Cab Guard

- Universal Fit on Full-Size, Current Model Pickups
- Heavy-Duty Flat Bar Steel Construction with Black Powder Coat Finish
- Easy Installation with Minor Drilling Required
- Utilizes Front Stake Pocket Opening for Bracket Mount
- Capability of Mounting Aftermarket Light on Optional Top Bar of Cab Guard (Sold Separately) Ratchet-Enabled Movement
- Utility Light Brackets with Ratchet-Enabled Movement Available as Accessories



Top Light Bar and Utility Light Brackets Sold Separately

(Shown with Aftermarket Lights)

HEAVY-DUTY
CAB GUARD

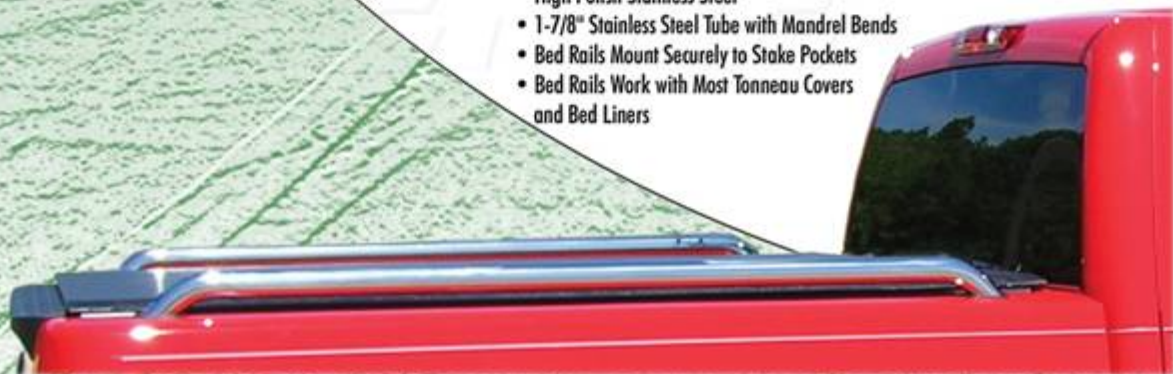
Aluminum Oval Bed Rails

- Aluminum Extrusion Construction with Black Plastic End Caps and Die Cast Aluminum Bases
- Uniquely-Styled Elliptical Design for Added Strength and Attractive Styling
- Available in a Chrome-Plated or Black Anodized Finish
- Fits All GM/Ford/Dodge Pickups with Stake Pockets from 2002-Current
- Available in Three Lengths to Fit a Wide Range of Pickup Box Lengths: 70" for 5 ft. to 5.8 ft. Box, 80" for 6 ft. to 6.6 ft. Box, and 100" for 8 ft. Box
- The Tie Downs and the Black Aluminum Bases are Secured in a Full-Length Slot that Allows for Complete Horizontal Adjustment
- Securely Mounts Into Existing Stake Pockets Without Drilling (Trucks with Bed Caps Installed may Require some Cutting)
- Bed Rails Work with Most Tonneau Covers and Bed Liners



Stainless Steel Tubular Bed Rails

- High Polish Stainless Steel
- 1-7/8" Stainless Steel Tube with Mandrel Bends
- Bed Rails Mount Securely to Stake Pockets
- Bed Rails Work with Most Tonneau Covers and Bed Liners



CHROME, BLACK & STAINLESS STEEL
BED RAILS

Contoured, Stainless Steel Splash Guards

- Custom-Fit Applications Available for Chevrolet/GMC, Ford and Dodge Pickups; and Universal Fit for Virtually All Other Applications (Drilling Required)
- Front or Rear Splash Guards in 12" x 20" or 12" x 23" Sizes
- 20" x 23" Dual Wheel Applications
- Injection Molded, Co-Polymer Polypropylene with Stainless Steel Insert
- UV Stabilized; Resists Fading in the Sun
- Easy to Install (Includes Corrosion-Resistant Mounting Hardware)
- Improves Vehicle Appearance & Extends Body Life by Reducing Rock and Stone Chips



Add the "Flash" of Stainless Steel to Your Vehicle with Ease...



Textured Rubber Mud Guards

- Custom-Fit, No-Drill Applications Available for Chevrolet/GMC, Ford and Dodge Pickups; and Universal Fit for Virtually All Other Applications (Drilling Required)
- Heavy-Duty 3/8" Textured Rubber
- Front or Rear Mud Guards in 12" x 20", 12" x 23", and 20" x 23" Dual Wheel Sizes
- 18 Gauge Stainless Steel Plate Attached to Bottom Adds Touch of Style
- Easy to Install (Includes Corrosion-Resistant Mounting Hardware)
- Improves Vehicle Appearance & Extends Body Life by Reducing Rock and Stone Chips

Traditional, Stainless Steel Splash Guards

- Neoprene Flap
- Heavy-Duty 18 ga. Stainless Steel Construction
- Not Affected by Exhaust Heat
- Easy to Maintain and Install
- Some Models Feature No Drill Installation
- Available for Front and Rear Applications in 10", 12", 14" and 20"
- Dual Wheel Applications for GM, Dodge, and Ford
- Improves Vehicle Appearance
- Extends Body Life by Reducing Rock and Stone Chips



CONTOURED, STAINLESS STEEL AND TEXTURED RUBBER
SPLASH GUARDS / MUD GUARDS

LIVERNE

Heavy-Duty Rear Bumpers

OEM STYLE - ONE PIECE FORMED BUMPERS

- 6" Step, 8" and 10" Drop Center
- Two Finishes: Chrome or Black Powder Coat
- No Welds
- 3 Hole Hitch Section with 1" Center Hole
- Auxiliary Braces Required for 10" Bumper
- Trim Top Pad Enhances Appearance and Provides Safety
- License Plate Lamp Harness Included
- Wider Hitch Section for Tighter Turns
- Contoured Ends Follow Factory Body

EXTRA STRENGTH - V5 RATING

1000# Tongue Weight;
10,000# Gross Trailer Weight on 8" & 10"

900# Tongue Weight;
9,000# Gross Trailer Weight on 6"



10" Chrome Drop Center



8" Chrome Drop Center



6" Chrome Step Bumper

TUFF Guard

- Heavy-Duty 3" Tubular Construction
- Available in 14 ga. High Polish Stainless Steel or 11 ga. Powder Coated Black Steel with a 15° or 25° Bend for Specific Applications
- Universal Fit with Vehicle-Specific Mounting Brackets
- Easy Installation - No Drilling or Front-End Modification
- Mounting Brackets Sold Separately
- Provides Strong and Stylish Bumper Protection
- Folds Down for Easy Access to Hood



Stainless Steel

The Tuff Guard and ProTec are Available for a Wide Range of Models from Freightliner, Peterbilt, Kenworth, GM, Ford, Mack and Volvo

Black



Lasts A Lifetime

PROTEC Grille Guard

- Heavy-Duty 3" Tubular Construction
- Available in 14 ga. High Polish Stainless Steel or 11 ga. Powder Coated Black Steel with a 15° or 25° Bend for Specific Applications
- Universal Fit with Vehicle-Specific Mounting Brackets
- Easy Installation - No Drilling or Front-End Modification
- Mounting Brackets Sold Separately
- Provides Strong and Stylish Bumper, Lights and Grille Protection
- Folds Down for Easy Access to Hood



STAINLESS STEEL & BLACK
TUFF GUARD

STAINLESS STEEL & BLACK
PROTEC GRILLE GUARD

LIVERNE

LIVERNE

VAN STEPS



O-MegaSteps, MegaSteps and Grip Steps are Available for 2001-2011 Ford E-Series Vans (O-MegaStep Shown)



Grip Steps, MegaSteps and O-MegaSteps are Available for 2003-2011 Chevrolet Express/GMC Savana Vans (Grip Step Shown at Left / MegaStep Shown Below)



**MEGASTEPS, O-MEGASTEPS, & GRIP STEPS
VAN STEPS**

SPRINTER STEPS

2007-2011

GRIP STEPS & O-MEGASTEPS
SPRINTER



SIDE STEPS

Sprinter Grip Step and O-MegaStep Sprinter Application Features a 36" Drivers Side Step Board and a 98" Step Board for the Passenger Side of the Van Easily Installed with Sprinter-Specific Mounting Brackets (Drilling Required)



REAR STEPS

For Easy Entry and Exit at the Rear of the Sprinter, Luverne has Available an O-MegaStep in Satin or Black, or the Grip Step in a 54" Length. Installs Easily (No-Drill) with Specifically-Designed Mounting Brackets.



LÜVERNE

LUVERNE



*The Innovators and Leaders
in Professional Quality
Aluminum Utility Racks*

The "Hauler" and Hauler II" truck rack series are available in a variety of configurations for full, mid, and mini-size pickup trucks. These racks are the choice for the professional needing heavy-duty, full-frame, overhead capacity, while maintaining clear access to the truck bed.

- Bright-Dipped Anodized Aluminum Construction is rustproof
- 6000 Series Aluminum - Strong and Lightweight
- Zinc-Plated and Stainless Steel Hardware - rustproof
- Manufactured to Strict Quality Standards
- Heavy-Duty Support Braces
- Weight Capacity 1,200 lbs.
- Mounts on Truck Bed Rail

*"Inside the Rail" Tonneau
Cover Kit is Available for the
Hauler and Hauler II Racks*



*Full Hauler Rack
Product Line Available
from Luverne Truck Equipment*

The "Universal" truck racks are available for several truck models.

- Bright-Dipped Anodized Aluminum Construction is rustproof
- 6000 Series Aluminum - Strong and Lightweight
- Zinc-Plated and Stainless Steel Hardware - rustproof
- Manufactured to Strict Quality Standards
- Aluminum Bed Mounting Pockets Allow for Secure and Easy Installation or Removal of Rack
- Weight Capacity 1,000 lbs.
- Pockets Mount to Lip and Bed of Truck

COMPLEMENTARY ACCESSORY
HAULER RACKS



TRUXEDO®

Lo-Pro-QT[®]
Patented

Low Profile, Soft Roll-Up Tonneau Cover
Lifetime Warranty covers everything, even the fabric.
(Warranty applies to original owner)



LOW PROFILE DESIGN

Angled rails provide a sleek, clean look on any truck.
Less than 1" above the truck bed!

TruxSeal™
Provides a tight seal between tailgate and truck bed.

ACCOMMODATES ACCESSORIES

The inside mount design of rails makes it easy to use with other accessories such as Bed Rails, Bed Liners and Rail Caps.



EASY INSTALLATION & USE

Installs in minutes with pre-assembled, quick attach cover system. Bows conveniently roll up within cover for easy storage.



FREE-FLOATING HOOK & LOOP SYSTEM

Industrial strength hook and loop moves on the rail and works with the tension control system to keep the cover tight, while reducing wear and tear.



AUTOMATIC TENSION CONTROL

Patented spring tensioner self-adjusts to keep the cover tight in fluctuating temperatures. Great looks in any climate!



EASY TRIGGER LATCH

One finger release opens quickly & easily.

ADDITIONAL TRUXEDO PRODUCTS

Other Truxedo products are available with additional upcharges.



COMPLEMENTARY ACCESSORY
TRUXEDO

LIVERNE

QUALITY TRUCK & SUV ACCESSORIES



1200 East Birch Street
Brandon, SD 57005-2001

www.luvernetruck.com

800-533-0506

605-582-7200
FAX 605-582-3486



Made in
America by
American
Workers

Rev. July 2011